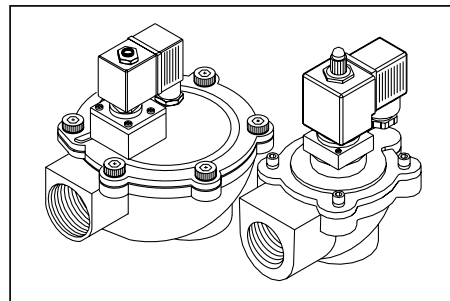


G 1 - G 1-1/2 Pulse Valves

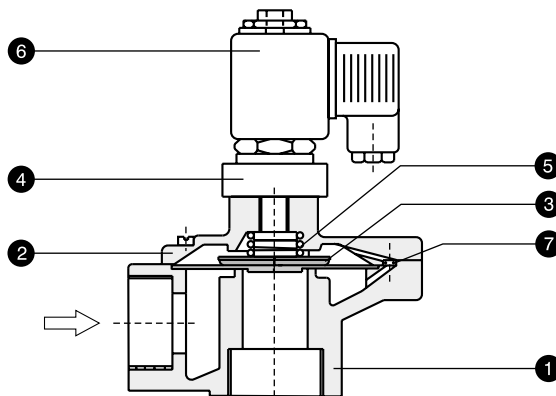
- Specially designed to free dust from filter bags of dust collector system.
- Available with solenoid and pilot actuation.
- High flow, faster operation contribute to efficient cleaning.
- Also offered with explosion proof enclosure designed to IS 2148 grade I, II A, II B and duly certified by C.M.R.S. Dhanbad.



PART LIST - G 1 PULSE VALVE

NO.	DESCRIPTION	QTY.
1	Body	1
2	Cover	1
3	Diaphragm assembly	1
4	Solenoid housing	1
5	Conical spring	1
6	Coil assembly	1
7	'O' ring	1

Seal kit consists of items 3 & 7.

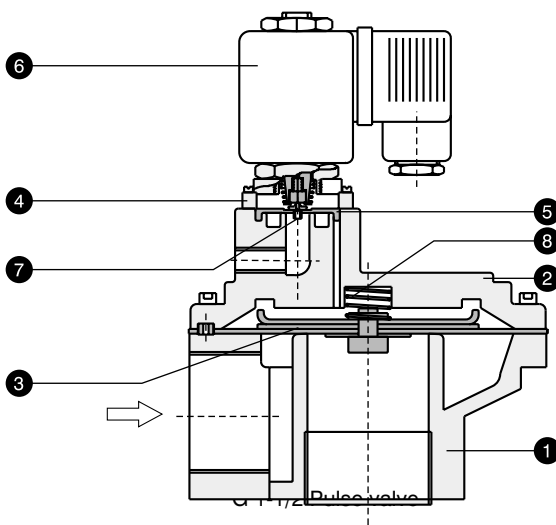


G 1 Pulse valve

PART LIST - G 1-1/2 PULSE VALVE

NO.	DESCRIPTION	QTY.
1	Body	1
2	Cover	1
3	Diaphragm assembly	1
4	Solenoid housing	1
5	Pilot diaphragm assembly	1
6	Coil assembly	1
7	Nozzle	1
8	Spring	1

Seal kit consists of items 3 & 5.

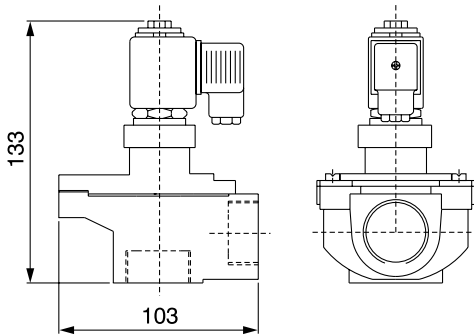
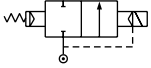


G 1-1/2 Pulse valve

COIL SPECIFICATIONS

Type	Valve with (G50 - 8W) coil
Construction	SS Plunger with NBR seals, SS magnet core assembled with brass adaptor.
Coil voltages	AC : 24, 42, 48, 110, 240, 440 V 50Hz DC : 12, 24, 48, 110, 240 V
Voltage range	+ 10% / -15%
Power consumption	AC : Pull 21 VA, Hold : 14 VA DC : 10 WATTS
Duty cycle	100%
Class of insulation	F (Winding wire of class 'H' insulation)
Degree of protection	IP 65 - IS 2147
Cable connector	DIN 43650 - PG 11

1" PULSE VALVE



Width of the valve is 77mm.

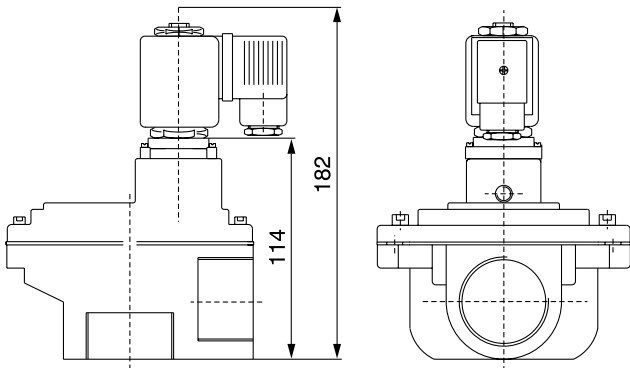
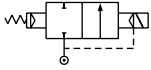
PART NOS.

Type	Valve	Seal kit
G 1 Solenoid operated Pulse valve	M 1370	SK 1370
G 1 Pilot operated Pulse valve	1350	SK 1350

SPECIFICATIONS

Medium	Compressed air, Filtered
Design	Diaphragm operated ON - OFF valve with solenoid actuation
Working pressure	1.5 - 10 Kg./sq. cm.
Ambient / fluid temp.	- 10° to 85° C
Cv (Nominal flow)	20 (20000 lit /min.)
Response time at 5 Bar	On time : 25 ms. Off time : 45 ms.
Optional features	PIC with light indicator Explosion proof coil
Materials	Body, Cover : Aluminium Solenoid housing : Brass Seals : NBR

1-1/2" PULSE VALVE



Width of the valve is 77mm.

PART NOS.

Type	Valve	Seal kit
G 1-1/2 Solenoid operated Pulse valve	1380	SK 1380
G 1-1/2 Pilot operated Pulse valve	1390	SK 1390

SPECIFICATIONS

Medium	Compressed air, Filtered
Design	Diaphragm operated ON - OFF valve with solenoid actuation
Working pressure	1.5 - 10 Kg./sq. cm.
Ambient / fluid temp.	- 10° to 85° C
Cv (Nominal flow)	48 (48000 lit /min.)
Response time at 5 Bar	On time : 25 ms. Off time : 45 ms.
Optional features	PIC with light indicator Explosion proof coil
Materials	Body, Cover : Aluminium Solenoid housing, Pilot housing : Brass Seals : NBR